

## Products

### Introduction



The billiard table cushions KLEMATCH® have been developed by Michelin unique know-how respecting more than 40 years of tradition. Their main features including bounce, regularity and long life are exceptional, and satisfy even the most demanding of players. That's why **Klematch**® cushions are suitable for competition use.

### Range of products



<b>KLEMATCH®</b>			
<b>DESIGNATION</b>		<b>Longueur en mètres</b>	<b>CODE ART.</b>
<b><i>KLEMATCH</i></b>	<b><i>sans toile</i></b>		<b><i>4 faces</i></b>
<b><i>KLEMATCH®</i></b>	<b>P37 - ST</b>	<b>1,90</b>	<b>300232</b>
<b><i>KLEMATCH®</i></b>	<b>P37 - ST</b>	<b>2,10</b>	<b>300233</b>
<b><i>KLEMATCH®</i></b>	<b>P37 - ST</b>	<b>2,30</b>	<b>300234</b>
<b><i>KLEMATCH®</i></b>	<b>P37 - ST</b>	<b>2,50</b>	<b>300235</b>

***mercia***  
***flexibles***

<u>KLEMATCH</u>	<u>toilée</u>		<u>4 faces</u>
<i>KLEMATCH</i> ®	P37	1,90	300240
<i>KLEMATCH</i> ®	P37	2,10	300237
<i>KLEMATCH</i> ®	P37	2,30	300230
<i>KLEMATCH</i> ®	P37	2,50	300231
<i>KLEMATCH</i> ®	P37	2,55	300236
<i>KLEMATCH</i> ®	P37	2,60	300238
<i>KLEMATCH</i> ®	P37	2,70	300239
<i>KLEMATCH</i> ®	P37	2,85	300228
<i>KLEMATCH</i> ®	P37	3,00	300229
<u>KLEMATCH</u>	<u>toilée</u>		<u>3 faces</u>
<i>KLEMATCH</i> ®	P59	2,50	300400
<i>KLEMATCH</i> ®	P59	2,54	300401
<i>KLEMATCH</i> ®	P59	2,85	300402
<i>KLEMATCH</i> ®	P59	3,00	300403

Definitions :

*Toilée* = With Fabric Backing Cloth

*Sans Toile* = Without Fabric Backing Cloth

*Longueur en mètres* = Length in metres

The fabric cloth is attached to the back of the cushion, and helps when attaching it to the rail.



***mercia flexibles***

Orleton Road

Ludlow Business Park  
SY8 1XF

Ludlow

Shropshire

United Kingdom

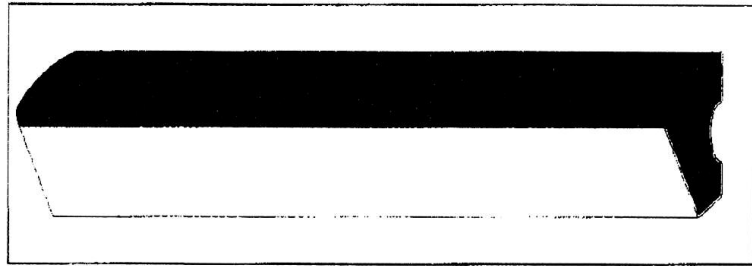
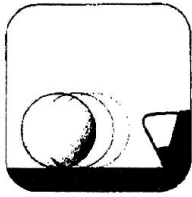
Tel. : +44 (0)1584 874999

Fax. : +44 (0)1584 874007

Email : [enquiries@merciaflexibles.co.uk](mailto:enquiries@merciaflexibles.co.uk)

Internet : [www.merciaflexibles.co.uk](http://www.merciaflexibles.co.uk)

# KLEMATCH® P 37



## Applications

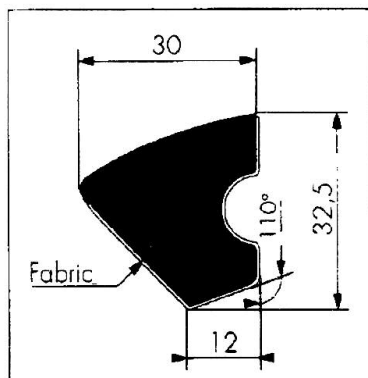
Billiard table cushions for deluxe and competition models

## Advantages

- Fabric-covered four-sided sections designed for maximum rebound, easy fitting and high resistance to accidental crushing
- High-grade, pure gum rubber, with excellent physical properties for optimum performance
- A clean, regular profile obtained by an efficient moulding and vulcanising process with hand finishing

## Description

- A four-sided profile made of natural grey rubber covered with raw fabric on three sides



## Technical Data

- Shore A hardness:  $43 \pm 3$
- Rebound resilience (according to DIN 53512):  $75\% \pm 5\%$
- Rebound resilience of the end product (according to KLEBER method):  $75\% \pm 5\%$
- Dimensions (see drawing opposite)

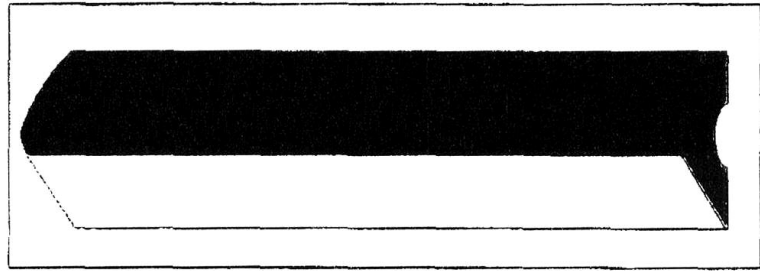
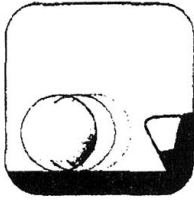
## Availability

- Nominal lengths available  
2.10 – 2.30 – 2.55 – 2.85 – 3.00 metres
- These lengths are delivered with sufficient allowance for fitting adjustments
- Other lengths can be supplied upon request

## Fitting Recommendations

- Cut the KLEMATCH P37 cushions in a mitre box, with a smooth long-blade knife lubricated with soapy water
- Note that the two bearing surfaces form an angle of  $110^\circ$
- Please consult us for special applications

# KLEMATCH® P 59



## Applications

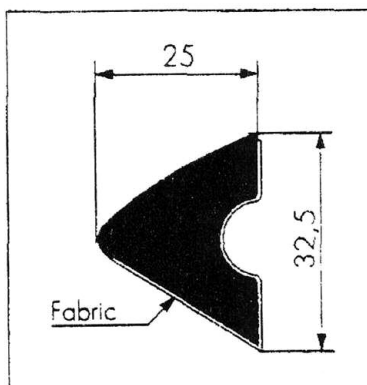
Billiard table cushions for deluxe and competition models

## Advantages

- Fabric-covered triangular sections designed to ensure true response to ball spin effects
- High-grade, pure gum rubber, with excellent physical properties for optimum performance
- A clean, regular profile obtained by an efficient moulding and vulcanising process with hand finishing

## Description

A triangular profile made of natural grey rubber covered with raw fabric on two sides



## Technical Data

- Shore A hardness:  $43 \pm 3$
- Rebound resilience (according to DIN 53512):  $75 \% \pm 5 \%$
- Rebound resilience of the end product (according to KLEBER method):  $75 \% \pm 5 \%$
- Dimensions (see drawing opposite)

## Availability

- Nominal lengths available  
2.10 – 2.30 – 2.55 – 2.85 – 3.00 metres
- These lengths are delivered with sufficient allowance for fitting adjustments

## Fitting Recommendations

- Cut the KLEMATCH P59 cushions in a mitre box, with a smooth long-blade knife lubricated with soapy water
- Please consult us for special applications