

Rubber Bellows Compensator Type W54 SAE

Type W54 SAE is a low corrugation bellows compensator with good sound insulating characteristics. It is characterized by a very high expansion capability in all three planes.

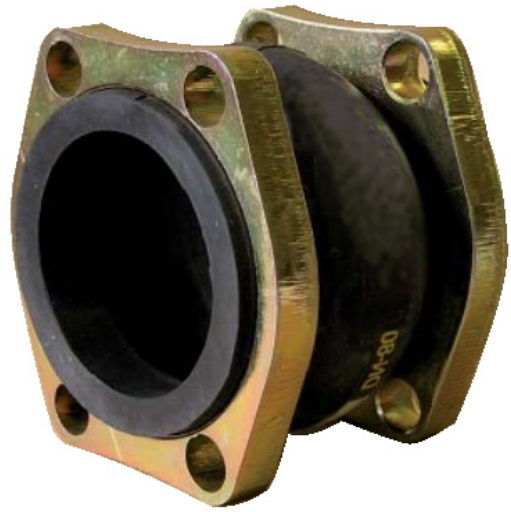
Design:

Low corrugation rubber bellows with reinforcing inserts and integral sealing bead (therefore self-sealing without additional gaskets) for accommodating steel-backed swivel flanges with solid ring support. The flanges are SAE J518 Code 61 3000 lb (ISO 6162), with through bolt holes.

All steel parts in S235JRG2 (R St 37-2) are zinc-plated and passivated.

Note:

The flanges are also available in other standards (eg DIN PN6, 10, 16 or ANSI 150 lb).



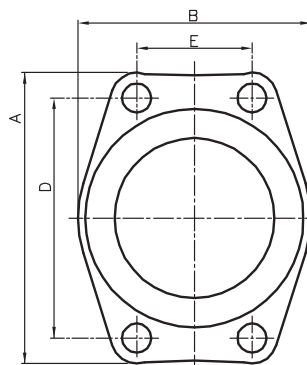
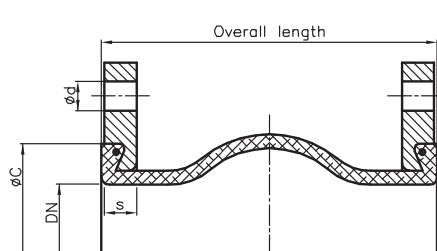
Details for Type W54 SAE

Bellows colour code	Core (inner)	Reinforcing material	Cover (outer)	Permissible operating data			Electrical resistance [Ohm cm]	Hardness shore A
				bar °C	bar °C	bar °C		
yellow	NBR	Nylon	CR	10 50		10 80	5*10 ⁴	60

Suitable for vacuum up to 0.8 bar abs., without supporting ring.
Suitable for vacuum up to 0 bar abs., with supporting ring.

Other grades of rubber are also available to special order (eg EPDM).

DN	Bellows		Flange SAE3000							Movement absorption				ØC mm
	Overall length mm	Ødi mm	A mm	B mm	D mm	E mm	Ød mm	n	s mm	ax + mm	ax - mm	lat ± mm	∠ ± °	
25/1"	65	24	70	55	52.4	26.2	11	4	11	10	20	10	7.5	46
32/1 1/4"	65	32	80	70	58.7	30.2	13	4	11	10	20	10	7.5	53
40/1 1/2"	100	40	90	80	70.0	35.7	13	4	13	10	20	10	10.0	64
50/2"	100	50	100	90	77.8	42.9	13	4	13	10	20	10	10.0	73
65/2 1/2"	100	65	115	105	89.0	50.8	13	4	14	10	20	10	10.0	89
80/3"	100	80	132	120	106.4	62.0	17	4	14	10	20	10	10.0	102
90/3 1/2"	100	80	146	130	120.6	70.0	17	4	14	10	20	10	10.0	102
100/4"	100	100	156	140	130.2	77.8	17	4	16	10	20	10	10.0	130
125/5"	130	121	184	165	152.4	92.0	17	4	16	10	20	10	25.0	166



Flanges :
SAE J518c 61 3000 lb